



Armatherm™ Non-Metallic Z-Girt

Non-metallic Z-girts are an ideal product for furring exterior walls on a new/existing masonry or steel stud backing. Armatherm™ Z-girts were developed to reduce heat lost in the building envelope while increasing the effective R-value of the total wall assembly.

Product Data:

Material: Fibre-reinforced plastic

Stock Lengths: 9'0" long

10% of a crate "Bundle"

Z-Girt Depth	Lineal Footage	Sticks	Weight (lbs)
1.5"	360	40	200
2"	330	37	222
2.5"	300	34	221
3"	270	30	210
4"	160	18	216

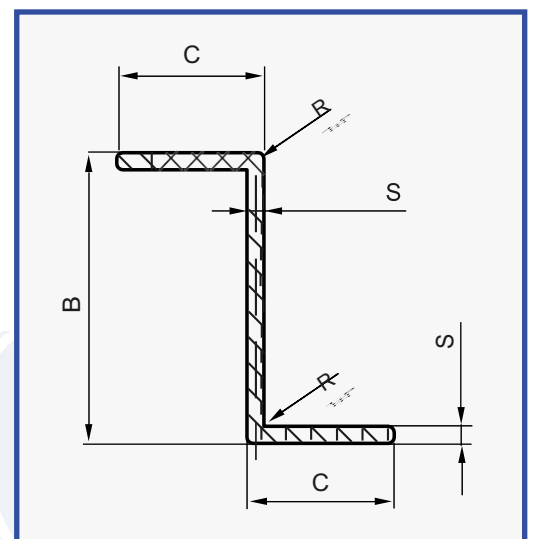
Full Crates

Z-Girt Depth	Lineal Footage	Sticks	Weight (lbs)
1.5"	3,600	400	2,100
2"	3,303	367	2,302
2.5"	3,006	334	2,271
3"	2,700	300	2,200
4"	1,602	178	2,236



Armatherm™ Z-Girt with a steel stud backing

Item	Dimensions, mm		
	B	C	S
Armatherm™ Z-Girt 1.5"	38.1 ± 0.20	38 ± 0.20	4.0 ± 0.2
Armatherm™ Z-Girt 2.0"	50.8 ± 0.25		
Armatherm™ Z-Girt 2.5"	63.5 ± 0.30		
Armatherm™ Z-Girt 3.0"	76.2 ± 0.35	51 ± 0.25	5.0 ± 0.2
Armatherm™ Z-Girt 4.0"	101.6 ± 0.5		



Armatherm™ Z-Girt Profile